

## ASK Superheterodyne Wireless Receiver Module (ET-RX-13)

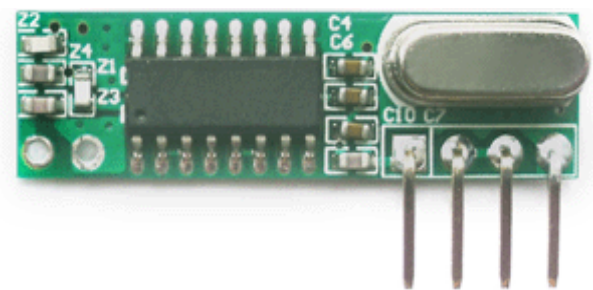
*ET-RX-13 with high sensitivity, small size and lower price, be the new generation in place of ET-RXB-12*

ET-RX-13 is ASK Superheterodyne Wireless Receiver Module working in ISM band. It can directly connect to MCU I/O or the Data Input Port on wireless decoder chip. Easily fulfil the function from Wireless signal to Data Receiving.

ET-RX-13 can work with several module (one transmitter module and several receiver module) at the same time, and have no interference to each other, and don't influence the receiving distance.

### Key Feature

- ◆ Modulation Mode : ASK / OOK
- ◆ Operating Frequency : 433.92 Mhz
- ◆ Operating Voltage : 3.3~5.5 V
- ◆ Operating Current : 3.8~4.1 mA (5.0V)
- ◆ Data Rate : 2.4 Kbps
- ◆ Sensitivity : -107 dbm
- ◆ Operating Temperature : -30~+85 °C
- ◆ Working Distance : 300 m
- ◆ Dimension : 30\*8.5\*5 mm



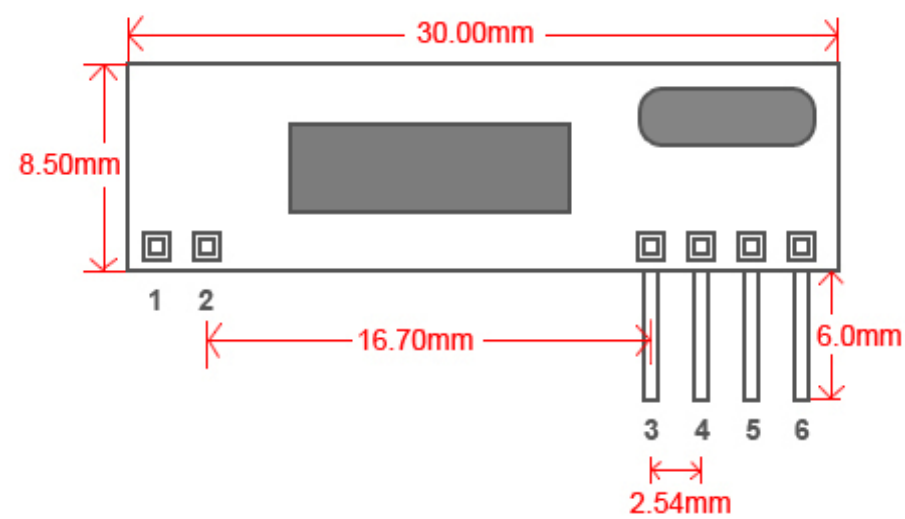
### Application

- ◆ Car security system
- ◆ Remote keyless entry (RKE)
- ◆ Garage door controller
- ◆ Home security
- ◆ Wireless controller
- ◆ Automation system

## Electrical Characteristics

Parameter	Symbol	Condition	Specification			Unit
			Min	Typical	Max	
Operating frequency	Fc		433.82	433.92	434.02	MHz
Modulation mode			ASK			
Sensitivity		1 Kbps / 50Ω		-107		dBm
Bandwidth				200		KHz
Turn on time	Ton				20	ms
Operating Voltage	VCC		3.3	5	5.75	V
Operating current	IRC		3.8	3.9	4.1	mA
Operating temperature			-30		85	°C

## Pin Dimension



1: ANT 2: GND 3: VCC 4: DATA 5: DATA 6: GND

### NOTE :

ET-RX-13 Drive Current from Data-PIN is weak, **if directly connection with Driving Chip** which I/O can not connect Pull Up Resistor or Pull Down Resistor, Driving Chip inner Pull Up Resistor and Pull Down Resistor turn to Disabled State.